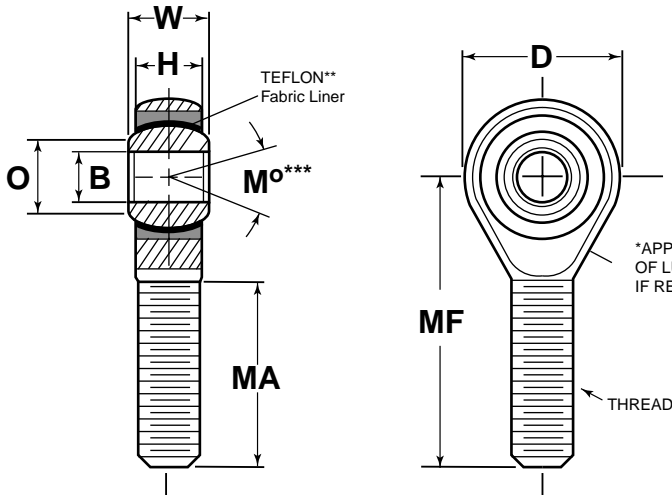
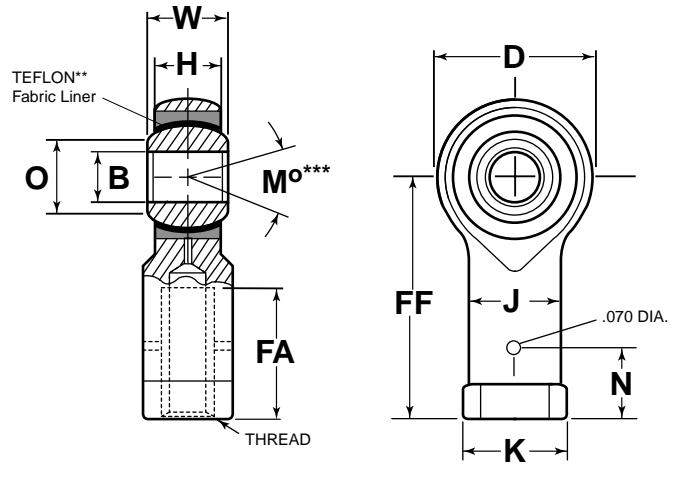


# ROD END BEARINGS- SELF LUBRICATING

## MALE SERIES



## FEMALE SERIES



### RM-T / RF-T

### General Purpose Precision/ \*\*Teflon Lined

RADIAL PART NO.		B	W	H	O	D	MF	FF	MA	FA	N	K	J	Ball Dia.	Thread	*** M° mis align angle	Max Static Radial Load (LBS)		Approx. Weight (LBS)	
Male	Female	+0015 -0005	+000 -005	±.005	(REF.)	±.010	±.010	±.010	+1/16 -1/32	+1/16 -1/32	±.020	±.010	±.010	(REF.)	CLASS UNF-3		Male	Female	Male	Female
RM-3T	RF-3T	.1900	.312	.250	.264	.625	1.250	1.062	.750	.562	.312	.406	.312	.406	10-32	13	1,169	1,531	.028	.038
RM-4T	RF-4T	.2500	.375	.281	.331	.750	1.562	1.312	1.000	.750	.312	.468	.375	.500	1/4-28	16	2,158	2,539	.042	.059
RM-5T	RF-5T	.3125	.437	.344	.428	.875	1.875	1.375	1.250	.750	.406	.500	.437	.610	5/16-24	14	2,784	3,133	.072	.092
RM-6T	RF-6T	.3750	.500	.406	.517	1.000	1.938	1.625	1.250	.937	.469	.687	.562	.718	3/8-24	12	3,915	3,915	.112	.152
RM-7T	RF-7T	.4375	.562	.437	.586	1.125	2.125	1.812	1.375	1.062	.531	.750	.625	.812	7/16-20	14	4,218	4,218	.160	.198
RM-8T	RF-8T	.5000	.625	.500	.656	1.312	2.438	2.125	1.500	1.187	.594	.875	.750	.906	1/2-20	12	6,660	6,660	.249	.320
RM-10T	RF-10T	.6250	.750	.562	.821	1.500	2.625	2.500	1.625	1.500	.750	1.000	.875	1.110	5/8-18	16	7,364	7,364	.382	.477
RM-12T	RF-12T	.7500	.875	.687	.937	1.750	2.875	2.875	1.750	1.750	.875	1.125	1.000	1.281	3/4-16	14	11,518	11,518	.602	.723
* RM-16T	RF-16T	1.000	1.375	1.000	1.269	2.750	4.125	4.125	2.125	2.125	-	1.625	1.500	1.875	1 1/4-12	17	43,540	43,540	2.41	2.13
* RM-16T-2	RF-16T-2	1.000	1.375	1.000	1.269	2.750	4.125	4.125	2.125	2.125	-	1.625	1.500	1.875	1-14	17	43,540	43,540	2.13	2.41
* RM-16T-3	RF-16T-3	1.000	1.375	1.000	1.269	2.750	4.125	4.125	2.125	2.125	-	1.625	1.500	1.875	1-12	17	43,540	43,540	2.13	2.41

## Materials

BALL	RACE	BODY	LINER
52100 Steel Heat Treated Hard Chrome Plated	Low Carbon Steel Zinc Plated or Stainless Steel	Low Carbon Steel Cadmium or Zinc Plated	Teflon** fabric permanently bonded to Race I. D.

## Notes

1. Add letter L to prefix to indicate left hand threads  
Example: RML-6T, RFL-6T
2. Temperature range: -65°F to +250°
3. Special sizes and materials can be furnished upon request. For brass races specify REM/REF.
- \*4. Tolerances for -16: "D" +.030, "H" ±.010, "FF" -.010  
& "MF" ±.020

\*\*\*5. M° equals total included misalignment angle for clevis mounted rod end

\*\*A trade name of E. I. Dupont de Nemours & Co.

